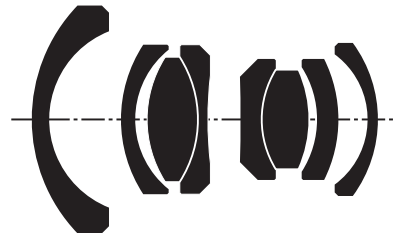
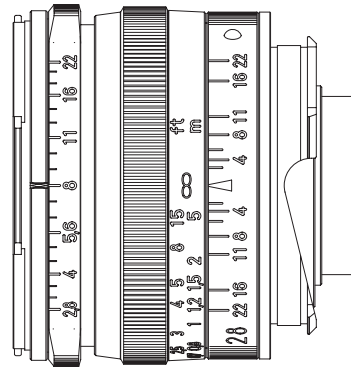


Biogon T* 2.8/28 ZM

The universal traveler

This lens provides the widest angle of view that can be used with the camera's built-in viewfinder. It comprises 8 optical elements and is based on the symmetric Carl Zeiss Biogon® design. This wide-angle lens is an ideal companion for the 50 mm Planar® standard lens. Its features include high image quality without color fringes, haze or reflection. Furthermore, the lens provides an astonishing close range of 0.5 m, making it ideal for travel, landscape and cityscape photography.



Technical Specification

Focal length: 28 mm

Aperture range: 2.8–22

No. of elements/groups: 8/6

Focusing range: 0.5 m–infinity

Image ratio at close range: 1:16

Coverage at close range: 37 cm x 55 cm

Angular field, diag./horiz./vert.: 75/65/46°

Filter: M 46 x 0.75

Weight: 220 g

Length: 51 mm

Cat. No. silver: 30 82028

Cat. No. black: 30 82029

Subject to change.

Carl Zeiss AG

Camera Lens Division
73446 Oberkochen
Germany

Tel: +49 73 64 20-61 75
Fax: +49 73 64 20-40 45
E-Mail: photo@zeiss.de
www.zeiss.de/photo



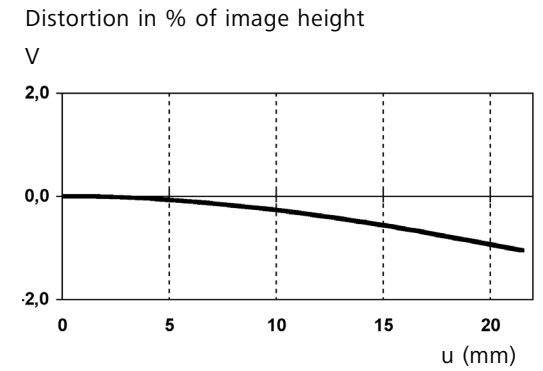
We make it visible.

Biogon T* 2.8/28 ZM

Performance data

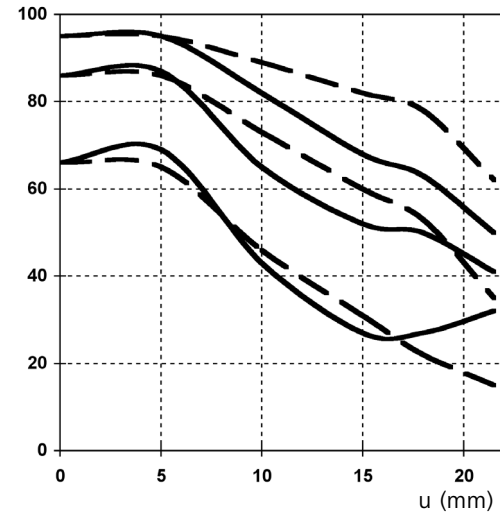
Modulation transfer T as a function of image height and slit orientation: sag _____ tan

White light. Spatial frequencies R = 10, 20 and 40 cycles/mm.



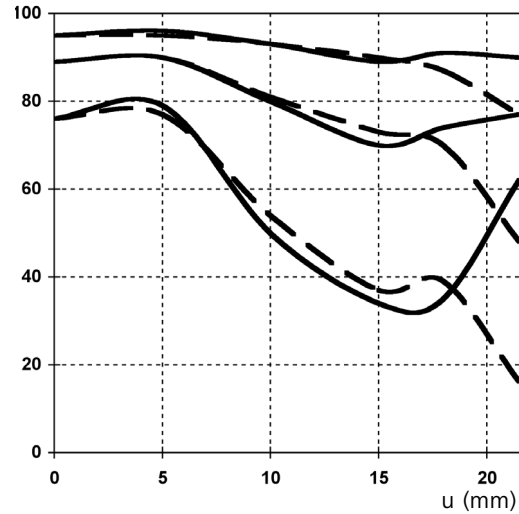
f-number: k = 2.8

T (%)



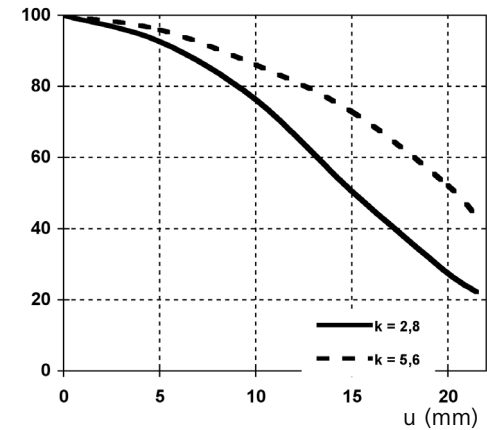
f-number: k = 5.6

T (%)



Relative illuminance

E (%)



Subject to change.

Carl Zeiss AG

Camera Lens Division
73446 Oberkochen
Germany

Tel: +49 73 64 20-61 75
Fax: +49 73 64 20-40 45
E-Mail: photo@zeiss.de
www.zeiss.de/photo



We make it visible.