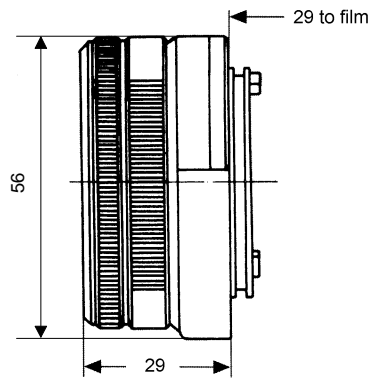
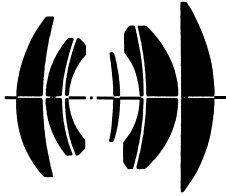


Planar® T* 2/35



CONTAX® G mount

Despite its wide initial aperture of $f/2$, this lens is relatively small and compact. The **Planar® T*** 2/35 lens with a Contax G mount is a medium wide-angle lens for all-round use, providing excellent image quality.

This lens is also the suitable choice for taking lifelike pictures of groups of people.

The **Planar® T*** 2/35 lens has been designed for use with the autofocus connection of Contax G compact cameras.

Cat. No. of lens	10 22 14		
Number of elements	7	Close limit field size	299 mm x 454 mm
Number of groups	5	Max. scale	1 : 12.4
Max. aperture	$f/2$	Entrance pupil*	
Focal length	35.1 mm	Position	12.8 mm behind the first lens vertex
Negative size	24 x 36 mm	Diameter	16.9 mm
Angular field*	width 55°, height 38°, diagonal 2w 64°	Exit pupil*	
Min. aperture	16	Position	27.7 mm in front of the last lens vertex
Camera mount	Contax G	Diameter	24.9 mm
Filter connection	M 46 x 0.75	Position of principal planes*	
Focusing range	infinity to 0.5 m	H	23.4 mm behind the first lens vertex
Working distance (between mechanical front end of lens and subject)	0.44 m	H'	12.5 mm in front of the last lens vertex
		Back focal distance	22.6 mm
		Distance between first and last lens vertex	29.4 mm
		Weight	160 g

* at infinity



Performance data:

Planar[®] T* 2/35

Cat. No. 10 22 14

1. MTF Diagrams

The image height u - calculated from the image center - is entered in mm on the horizontal axis of the graph. The modulation transfer T (MTF = Modulation Transfer Factor) is entered on the vertical axis. Parameters of the graph are the spatial frequencies R in cycles (line pairs) per mm given at the top of this page.

The lowest spatial frequency corresponds to the upper pair of curves, the highest spatial frequency to the lower pair. Above each graph, the f-number k is given for which the measurement was made. "White" light means that the measurement was made with a subject illumination having the approximate spectral distribution of daylight.

Unless otherwise indicated, the performance data refer to large object distances, for which normal photographic lenses are primarily used.

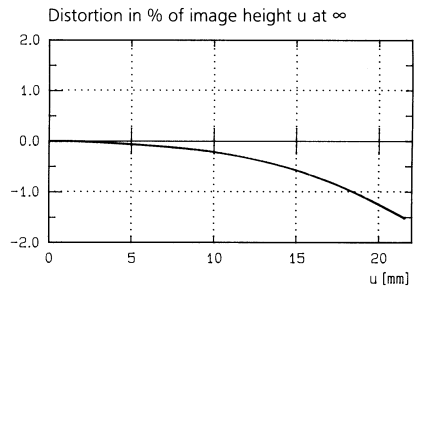
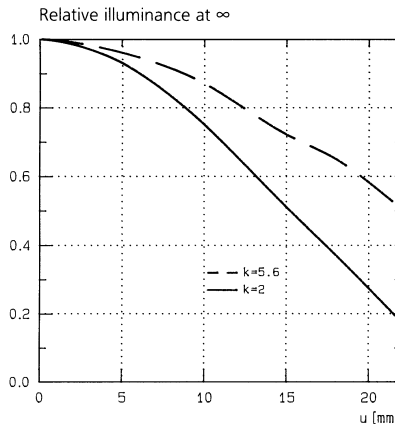
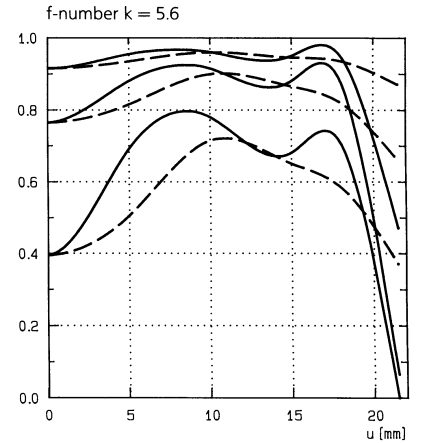
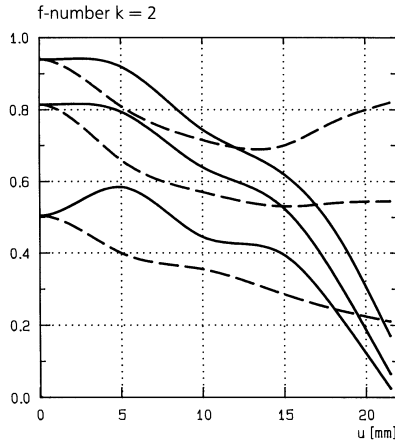
2. Relative illuminance

In this diagram the horizontal axis gives the image height u in mm and the vertical axis the relative illuminance E , both for full aperture and a moderately stopped-down lens. The values for E are determined taking into account vignetting and natural light decrease.

3. Distortion

Here again the image height u is entered on the horizontal axis in mm. The vertical axis gives the distortion V in % of the relevant image height. A positive value for V means that the actual image point is further from the image center than with perfectly distortion-free imaging (pincushion distortion); a negative V indicates barrel distortion.

Modulation transfer T as a function of image height u . Slit orientation: tangential ——— sagittal ———
White light. Spatial frequencies $R = 10, 20$ and 40 cycles/mm



Subject to change.
Printed in Germany 31.07.2000



Carl Zeiss
Photoobjektive
D-73446 Oberkochen
Telephone (07364) 20-6175
Fax (07364) 20-4045
eMail: photo@zeiss.de
http://www.zeiss.de