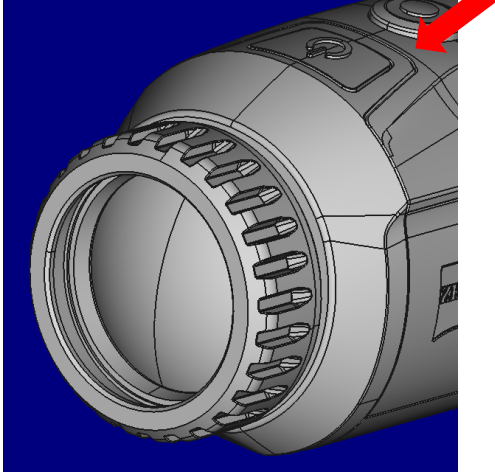


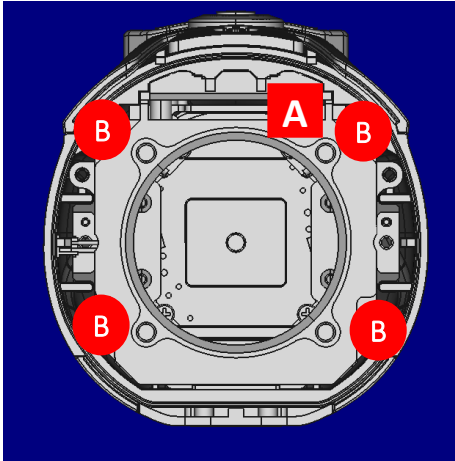




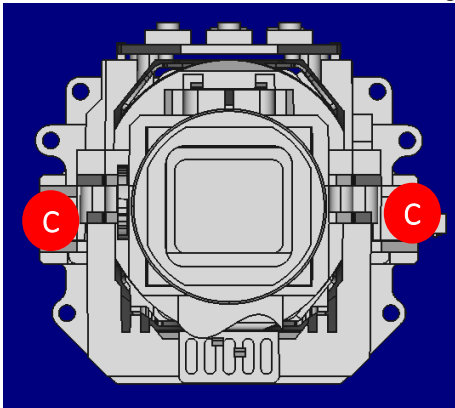
- Entfernen Sie die vordere Kunststoffabdeckung vom Gehäuse, indem Sie diese über den Einschaltknopf nach vorne abheben.



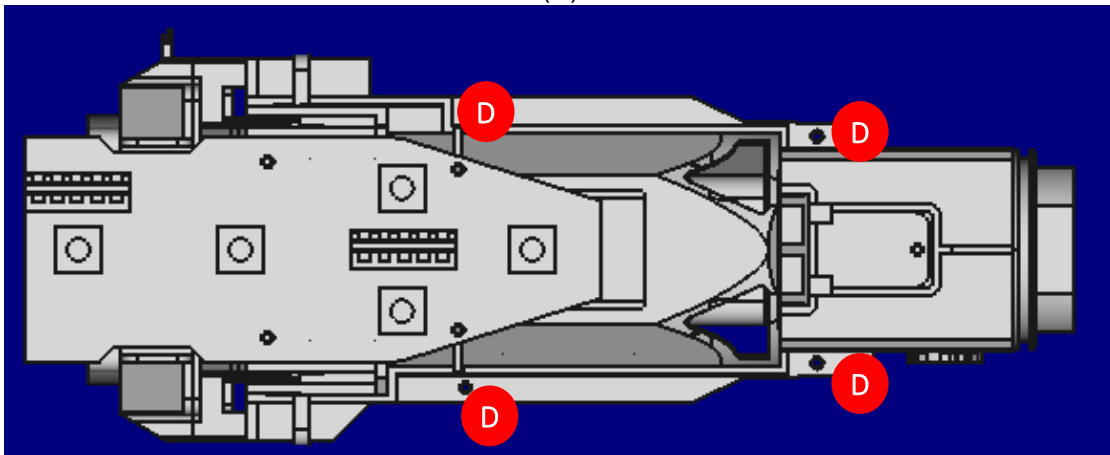
- Stecken sie das Flachbandkabel (A) von der obenliegenden Platine ab.
- Entfernen Sie die vier Schrauben (B), die den Elektronikern im Gehäuse halten.



- Ziehen Sie den Elektronikern aus dem Gehäuse (Tipp: Sie können das Objektiv zur Hilfe nehmen!).
- Entfernen Sie die beiden Kreuzschlitzschrauben (C) links und rechts am inneren Elektronikern, welche von hinten eingeschraubt sind.



- Entfernen Sie die vier Kreuzschlitzschrauben (D) von oben.



- Lösen sie den Akku heraus und stecken Sie ihn von der Platine ab.

# **ZEISS DTI**

**3/25 | 3/35 | 4/35| 4/50**

Removal instructions of the accumulator for  
recycling purposes



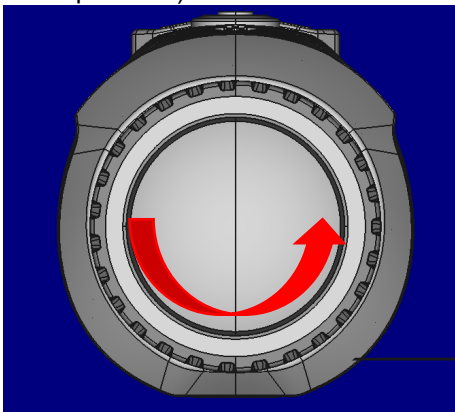
## Safety instructions:

The device contains a lithium-ion accumulator, therefore appropriate safety measures must be applied:

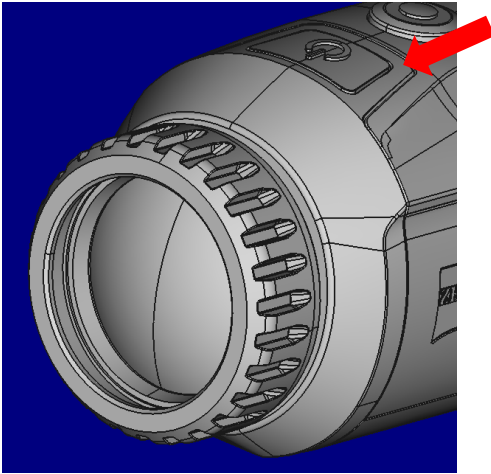
- Make sure that the accumulator is discharged!
- Do not expose the accumulator to fire or high temperatures above 60°C!
- Do not damage, crush or open the accumulator!
- Do not short-circuit the accumulator and do not expose it to liquids!
- Dismantling and disposal of the accumulator may only be carried out by trained personnel!
- Wear suitable gloves and protective goggles when removing the accumulator!
- Recycle or dispose of the accumulator according to the locally valid regulations!

## Steps for removing the accumulator:

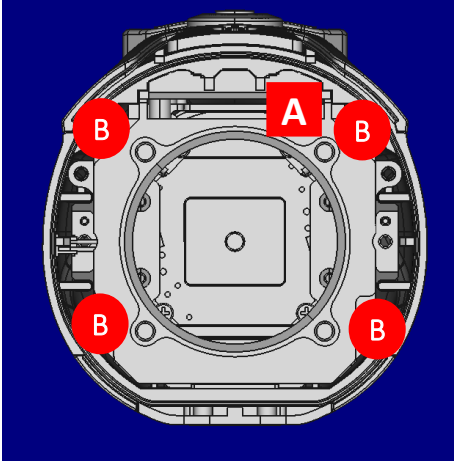
- For the removal of the accumulator, a Phillips screwdriver of the size PH00, and if necessary, a pipe wrench for unscrewing the lens, is required.
- To remove the accumulator from the instrument, proceed as follows:
- Remove the lens from the unit by unscrewing it counterclockwise. (The lens can be destroyed in the process!)



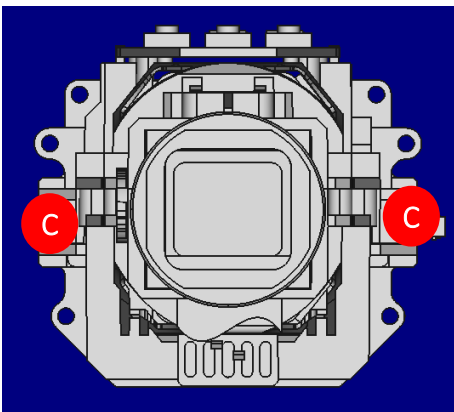
- Remove the front plastic cover from the housing by lifting it forward over the power button.



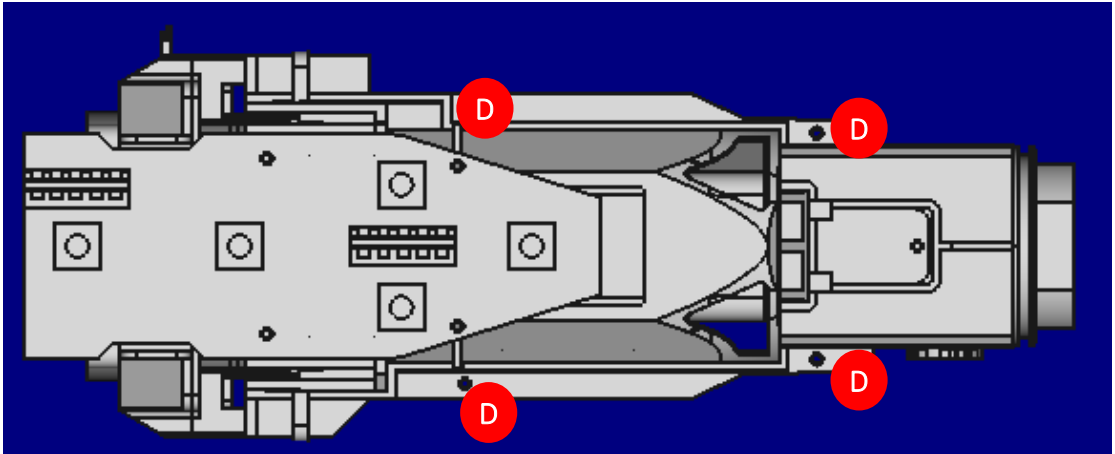
- Disconnect the ribbon cable (A) from the top PCB.
- Remove the four screws (B) that hold the electronics core in the housing.



- Pull the electronics core out of the housing (tip: you can use the lens to help!).
- Remove the two Phillips screws (C) on the left and right of the inner electronics core, which are screwed in from behind.



- Remove the four Phillips screws (D) from the top.



- Remove the battery and disconnect it from the circuit board.